

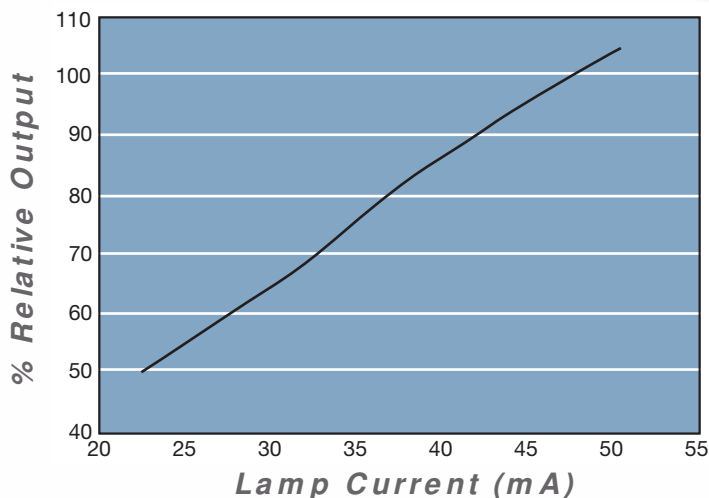
Low pressure Zinc and Cadmium lamps are major sources of extreme short wave UV radiation. They produce a strong spectral line source at 213.9 nm for Zinc and 228.8 nm for Cadmium. The lamps are constructed using a special vacuum jacket around the double bore lamp body and heat shield. The jacket isolates the lamp body, with the zinc or cadmium arc, from the external environment. This gives the lamp body excellent temperature stability resulting in very low noise and steady lamp intensity that is relatively independent of external temperature fluctuations. The radiance from the lamp comes from two ports located on opposite sides of the lamp. This radiance can be used from both ports simultaneously, from a single port, and from any portion of the arc. These lamps are available with either radial or axial lead wire configurations and Silicon or Delrin end caps. Choose from a number of lead wire and lead termination options as shown in the Parts Selection Chart. For OEM applications BHK can design custom lead and connector terminations.



Features

- Short Wave UV Radiation
- High Light Output Stability
- Efficient Two Port Output
- Low Noise
- Custom Designs and Configurations
- Special Vacuum Jacket Construction
- High Frequency Power Supplies Available
- ISO 9001:2008 Certified

Light Output vs. Current

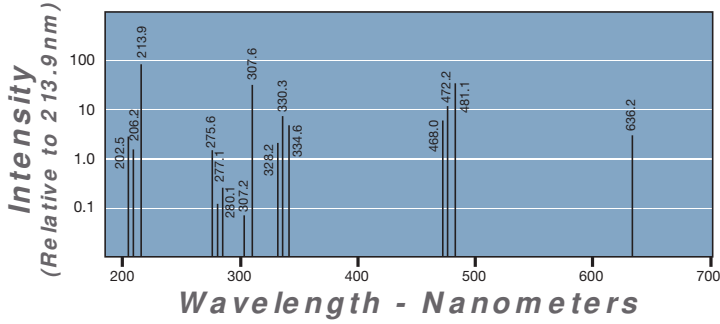


Applications

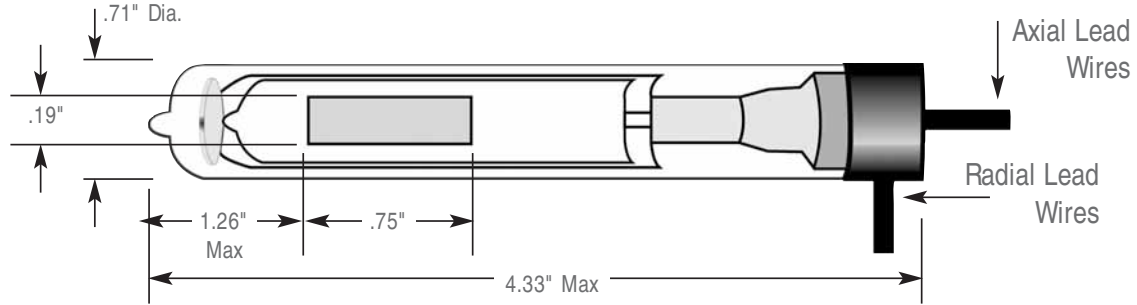
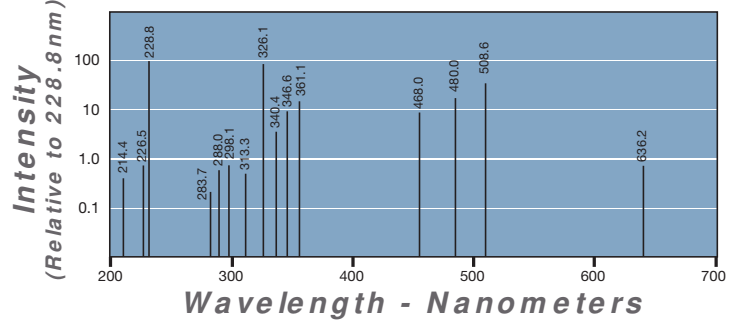
- Analytical Instruments
- Wavelength Calibration
- Spectroscopy
- Interferometers
- HPLC Instruments
- Air Pollution Monitoring
- Photochemical Studies

Zinc & Cadmium Analamps®

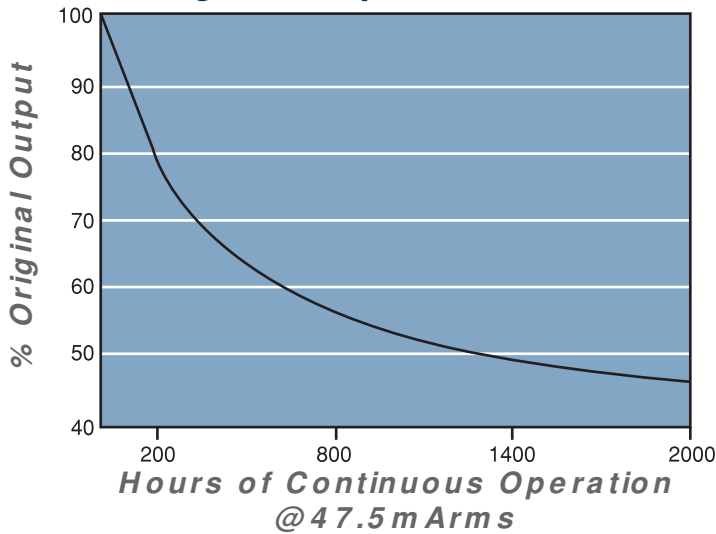
Zinc Emission Data



Cadmium Emission Data



Light Output vs. Time



Lead Terminations (All use 20KV Silicone Lead Wire)

TYPE	DESCRIPTION
1	Strip, Axial 1/4" Insulation
2	Strip, Radial 1/4" Insulation
3	Radial Connector
4	Axial Connector

Axial End View



Radial End View



These lamps are available with either radial or axial lead wire configurations and Delrin end caps. Choose from a number of OEM or stand alone power supplies for your application as well as connectors and lead wire configurations. Custom lead and connector configurations are also available at your request.

	P/N	SPECTRAL AND ELECTRICAL							DIMENSIONAL DATA					
		PEAK λ (nm)	MINIMUM INTENSITY ($\mu\text{W}/\text{cm}^2/\text{nm}$) @ 1 Meter	LAMP NOISE Note 1	DRIFT (Per Hr) Note 2	TYPICAL WARM-UP TIME Note 3	START V (Vrms) MAX.	TYPICAL OPER. V (Vrms) ($\pm 20\%$)	OPERATING CURRENT (mA)	* LEAD LENGTH	LEAD TERMINATIONS	PWR SUPPLY CONNECTOR REQ'D	LEAD TYPE	END CAP
CAD ZINC	89-9020-01	213.9	≥ 0.19	$\leq 0.1\%$	$\leq 3\%$	10 Min.	1500	160	47.5	8" \pm 1/4"	Type 1	Yes	Note 4	RTV
	89-9020-02	213.9	≥ 0.19	$\leq 0.1\%$	$\leq 3\%$	10 Min.	1500	160	47.5	8" \pm 1/4"	Type 2	Yes	Note 4	RTV
CAD ZINC	89-9020-21	228.8	≥ 0.47	$\leq 0.06\%$	$\leq 2\%$	10 Min.	1500	120	47.5	8" \pm 1/4"	Type 1	Yes	Note 4	RTV
	89-9020-22	228.8	≥ 0.47	$\leq 0.06\%$	$\leq 2\%$	10 Min.	1500	120	47.5	8" \pm 1/4"	Type 2	Yes	Note 4	RTV
ZINC	89-9020-41	213.9	≥ 0.19	$\leq 0.1\%$	$\leq 3\%$	10 Min.	1500	160	47.5	12" \pm 1/4"	Type 3	No		Delrin
	89-9020-42	213.9	≥ 0.19	$\leq 0.1\%$	$\leq 3\%$	10 Min.	1500	160	47.5	12" \pm 1/4"	Type 4	No		Delrin
CAD	89-9020-51	228.8	≥ 0.47	$\leq 0.06\%$	$\leq 2\%$	10 Min.	1500	120	47.5	12" \pm 1/4"	Type 3	No		Delrin
	89-9020-52	228.8	≥ 0.47	$\leq 0.06\%$	$\leq 2\%$	10 Min.	1500	120	47.5	12" \pm 1/4"	Type 4	No		Delrin

Notes: 1. Single beam, time constant of 0.1 Sec. Wavelength of maximum intensity. 2. Taken under stable temperature conditions after 1 hour warmup.
3. To maximum light output. 4. All lamps have 2 pigtail leads (20KV 22Awg)
Standard lamp base is Delrin. RTV or Ceramic bases are available upon request.
Warranty: 1 year or 1000 hours to 50% of the minimum listed intensity.



More Than A Lamp Manufacturer

760 E. Sunkist Street • Ontario, CA • 91761 • 909-983-2973 • FAX 909-986-7891

© BHK Inc. 2/10